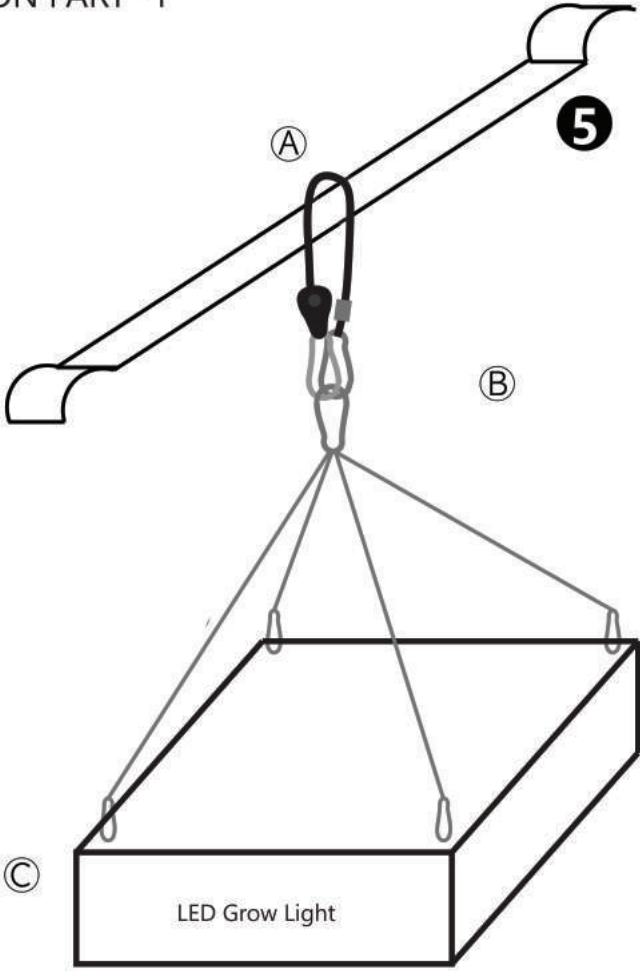
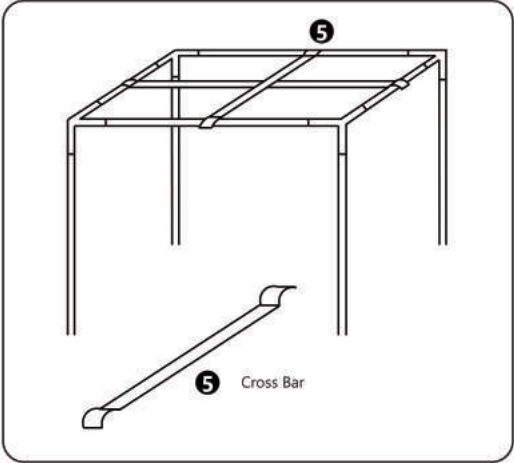


INSTALLATION PART -1



A

B

C



User Manual

